

User Manual Accessories

User Manual Accessories



VebaBox Cold Chain Innovators

info@vebabox.com

Webboka.com

VebaBox Accessories User Manual

Contents

Cable Sets	61
Equipment	53
How the control panel works	69
Mounting Frame	73
Article 80FRA15S:	73
Article 80FRA15:	76

Cable Sets

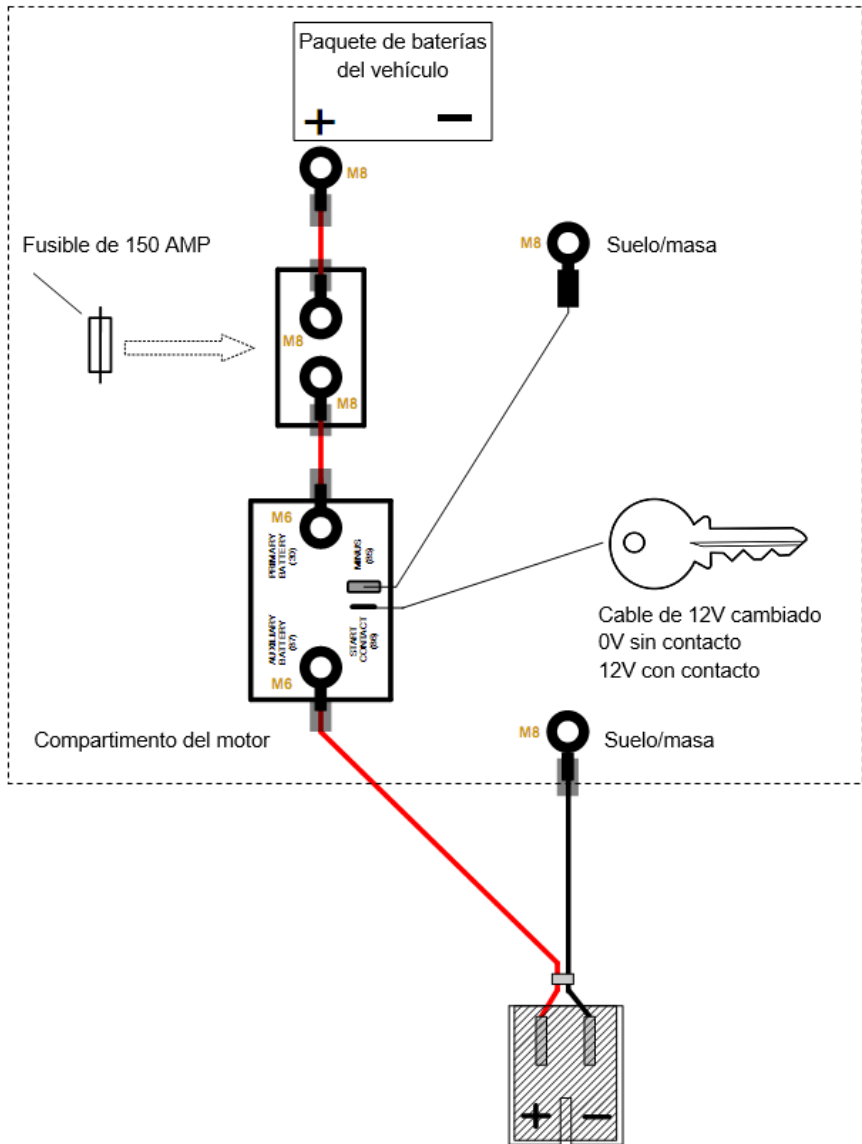


Contents

- 25 mm² cable set with relay and fuse

Installation

- Fit the red wire to the vehicle's 12V outlet.
- Mount the black wires on the floor of the vehicle.
- The white wire is mounted above a 0/12V socket, which only supplies 12V when the vehicle is started.
- The 12V plug then goes to the refrigeration unit or electric generator.



Conexión al generador eléctrico o a la unidad de refrigeración

Equipment



Contents

- Equipment
- Power cable 110/230V
- CEE7-3/C20, Nema5-15/C20 Adapter for US Models

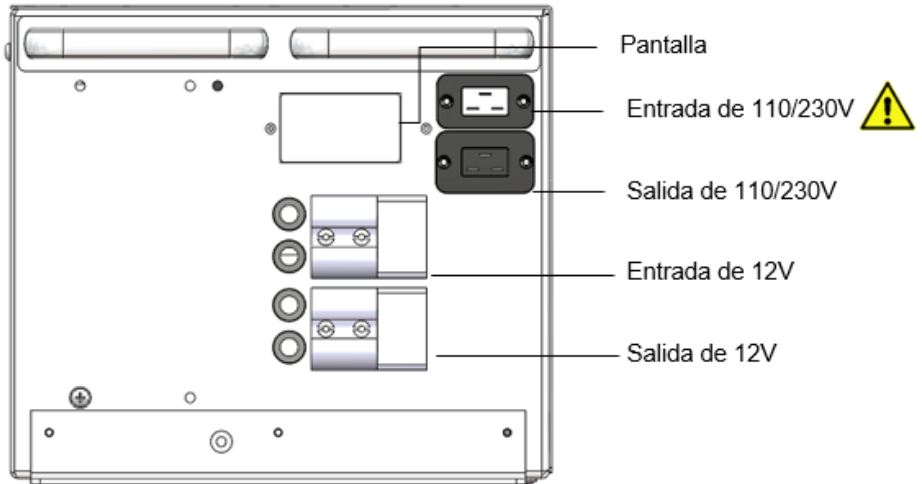
Model	Description:	12V Output	12V Input	230V Output	230V Input
PSB 75 12 1 GL 0	DC Power Generator 75Ah	X	X		
PSB 75 230 1 GL 0	75Ah DC Power Generator + Charger	X			X
PSB 75 1230 1 GL 1	75Ah AC + DC Power Generator + Charger	X	X	X	X

PSB 150 12 1 GL 0	150Ah DC Power Generator	X	X		
PSB 150 230 1 GL 0	150Ah DC Power Generator + Charger	X			X
PSB 150 1230 1 GL 1	Electric Generator 150Ah AC + DC + Charger	X	X	X	X

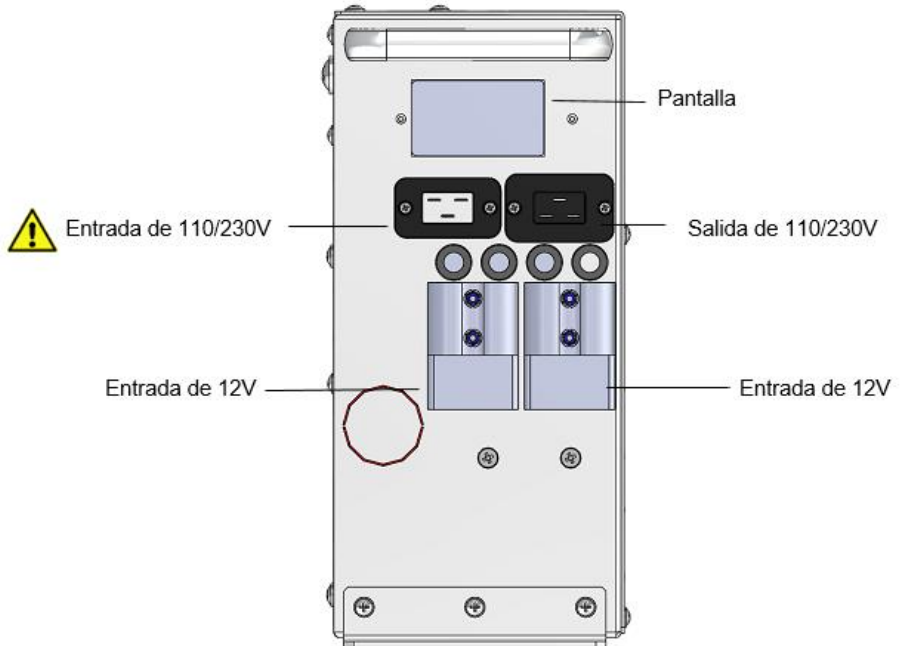
PSB 250 12 1 GL 0	250Ah DC Power Generator	X	X		
PSB 250 230 1 GL 0	250Ah DC Power Generator + Charger	X			X
PSB 250 1230 1 GL 1	250Ah AC + DC Power Generator + Charger	X	X	X	X

Component name

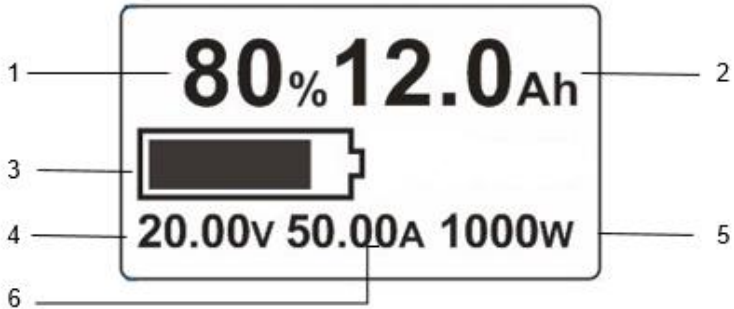
250Ah Models



75Ah and 150Ah models



Screen



- 1: Percentage of Capacity Remaining
- 2: Amperage hour remaining
- 3: Display of remaining capacity
- 4: Voltage Consumption
- 5: Amplifier Absorption
- 6: Power Consumption

Commissioning Operation

Perform the following steps to connect the electric generator.

- Connect the 110/230V output of the power generator to the thermal unit(s) using the 110/230V cables supplied with the thermal unit(s). To do this, use the adapter supplied. This will allow the thermal units to run at the same time as the electric generator load.
- Connect the 12V output of the electric generator to the thermal unit(s) using the wires supplied with the thermal unit(s).
- Connect the installation cable in the vehicle to the 12V input of the electric generator.
- To charge the electric generator, connect the 110/230V input to the mains using the cable supplied.



Warning

To charge the battery and allow the thermal units to operate at the same time, always connect the 110/230V output of the power supply to the thermal unit(s) before connecting it to the power source.

How the control panel works

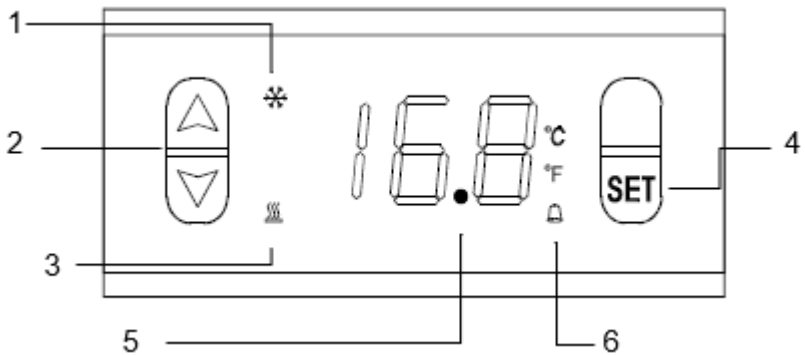


Contents

- Display with on/off switch
- 5 meter connection cable

Component name

1. Cooling Mode
2. Temperature Select/Adjust Buttons
3. Heating mode
4. SET button
5. Temperature display
6. Alarm Signal



Adjust according to temperature

- Press the SET button, the set temperature will start flashing.
- Press the selection keys to change the temperature settings.
- Press the SET button again to confirm the temperature and return to the current display.

Parameter Configuration

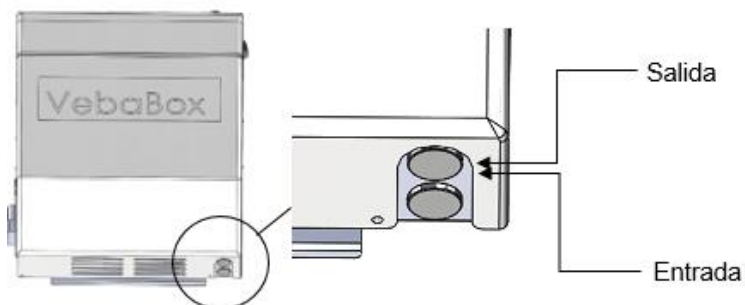
- Press the SET button for 6 seconds and the E1 parameter will flash.
- Press the SET button again to scroll through the parameters.
- Press the radio buttons to view and change the set value.
- If no button is pressed within 6 seconds, the display returns to the current temperature display.

Parameter	Function	Range
E1	Lower limit of the set point	-20°C (-4°F)
E2	Maximum set point limit	40 °C (104 °F)
E3	Temperature hysteresis	0.1°C/10°C (0.2 °F/18 °F)
E4	Duration of connection delay	0/10 minutes
E5	Temperature Compensation	-10°C/10°C (-18°F/18°F)
CF	Temperature Units	°C/°F

C1	Switching time between heating and cooling	0/30 minutes
P1	High alarm value	Set temperature (+0°C/30°C) (0°F/54°F)
P2	Low alarm value	Set temperature (-0°C/30°C) (0°F/54°F)
P3	Alarm Delay	0/90 minutes
P4	Alarm hysteresis	0°C/10°C (32°F/50°F)

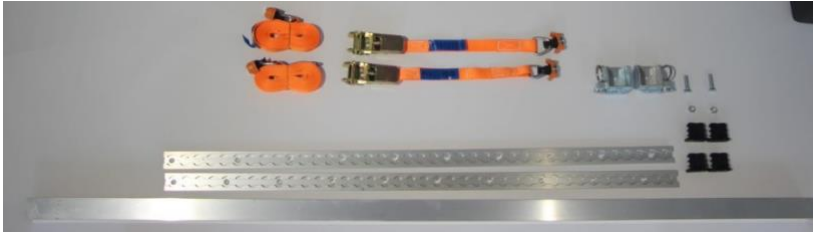
Control Panel Screen

To connect the control panel to the unit, connect the control panel connection cable to the input of the refrigeration unit. The control panel automatically takes commands so you can operate the refrigeration unit from the cab. To do this, the on/off button on the refrigeration units must be turned off.



Mounting Frame

Article 80FRA15S:



Contents

- 1 reading tube 40x40x1500 mm
- 2 x 1m Installation Rails
- 2 x M8 bolts
- 2 x M8 nuts
- 2 end caps
- 1 x Left Bracket
- 1 x Right Bracket
- 2 tension straps

Not included in the scope of delivery: Mounting material

The mounting frame prevents the VebaBox from slipping on the vehicle.



1



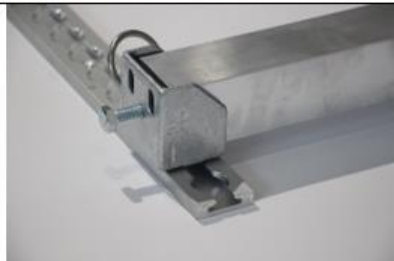
2



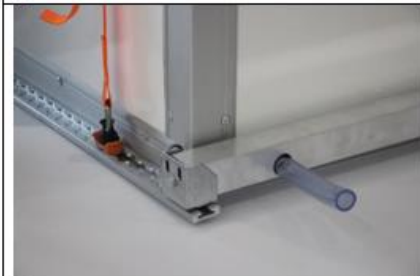
3



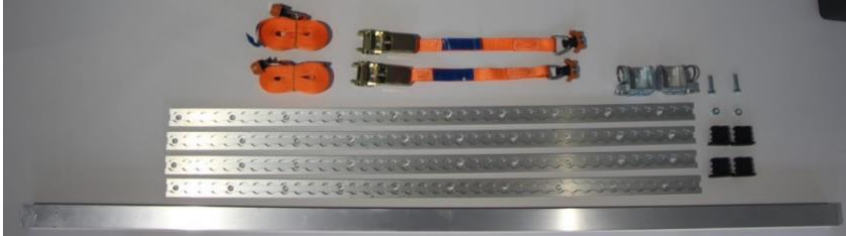
4



5



Article 80FRA15:

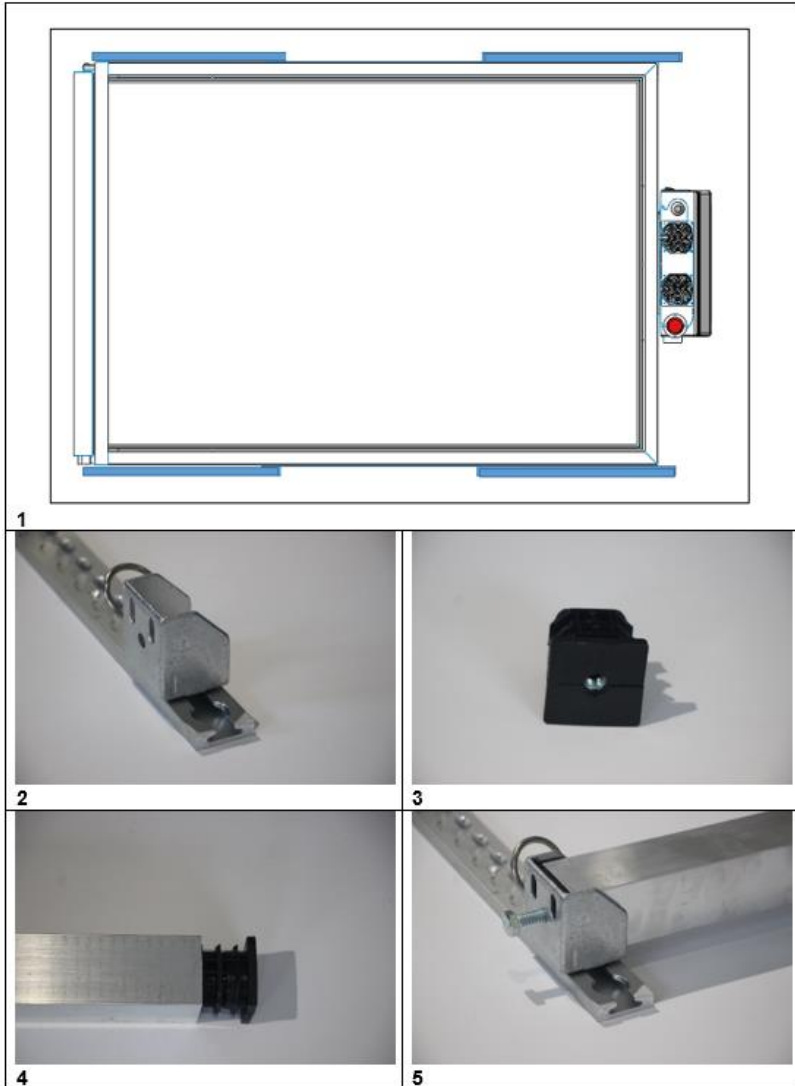


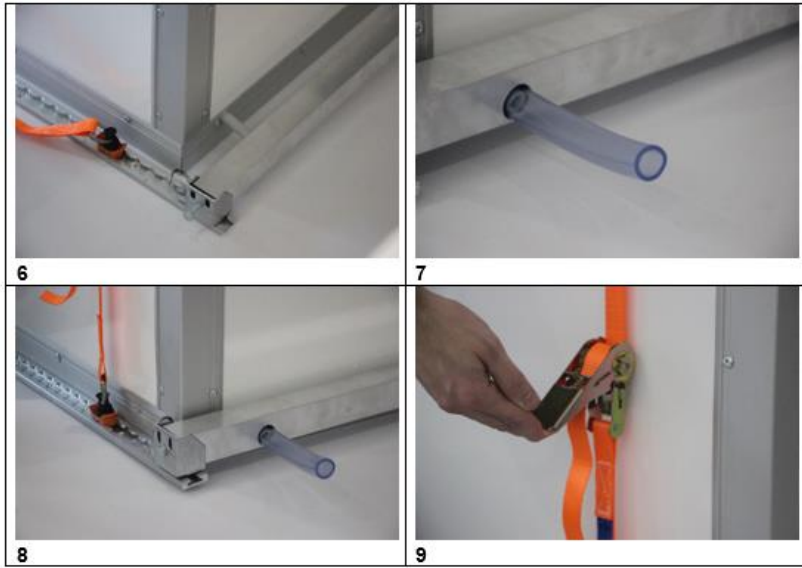
Contents

- 1 reading tube 40x40x1500 mm
- 4 x 1m Installation Rails
- 2 x M8 bolts
- 2 x M8 nuts
- 2 end caps
- 1 Support Link
- 1 x Right Bracket
- 2 tension straps

Not included in the scope of delivery: Mounting material

The mounting frame prevents the VebaBox from slipping on the vehicle.





Mounting 80FRA15S and 80FRA15

1. Place the installation rails (1) on the car's charging platform, keeping in mind that the VebaBox may be squeezed between the rails. The rails are fixed with the kit and screws on the wooden plate in the load compartment. These are not included and depend on the type of vehicle.
2. Click the brackets above the installation guides.
3. Place the M8 nut between the two halves of the side cover and snap them together.

4. Cut the tube to the correct length so that it fits between the two brackets and hammer the side caps at both ends with the M8 nut.
5. With the M8 bolt, you can temporarily hold the bracket in place.
6. Slide the box until it almost reaches the top. Pull out the hole where the drain hose will pass through the pipe and then drill the hole here.
7. Slide the box all the way against the limit switch and install the drain hose for condensate water.
8. Click on the supplied tension straps on the installation guide.
9. Tighten the tension straps with constant force.