



## ECONOMY LINE MODEL G

# COOL

### INCLUDING

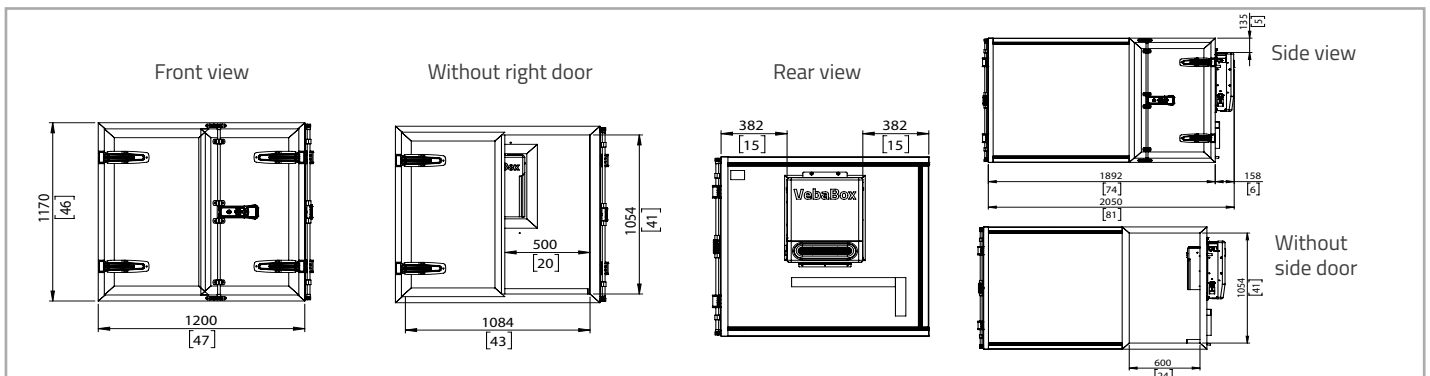
- ❁ 110/230V shore power connection
- ❁ Installation set
- ❁ 12V power cable
- ❁ 110V/230V cable
- ❁ Manuals

### OPTIONS

- ❁ Cooling/heating when the engine is not running
- ❁ Palletframe
- ❁ Shelves
- ❁ Crate guidance
- ❁ Handles
- ❁ Tearplate (inside/outside)

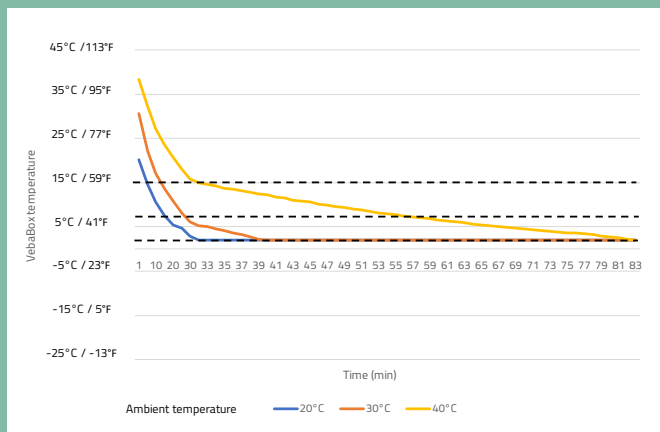
Box volume	2025 liter / 72 ft <sup>3</sup>
External dimensions (wxhxd)	1200 x 1170 x 2050 mm / 47,2 x 46,1 x 80,7 inch
Inside dimensions (wxhxd)	1094 x 1064 x 1674 mm / 43,1 x 41,9 x 65,9 inch
Nett. Weight	124 kg / 273 lb
Temperature setting	2°C to 25°C / 35,6°F to 77°F
Ambient temperature	-20°C en +50°C / -4°F and +122°F
Automatic cooling / heating	Yes
Power source, max. current @ 12V	50 A @ 12V
Power source, max. current @ 110~230V AC (50/60Hz)	3.6 A @ 230V or 7.2 A @ 110V
Wall thickness	53 mm / 2,1 inch

### DIMENSIONS IN MM/IN



### COOLING AND HEATING PERFORMANCES

Cooling performance at different ambient temperatures >20°C / 68°F Model G Cool



Heating performance at ambient temperature -20°C / -4°F Model G Cool

